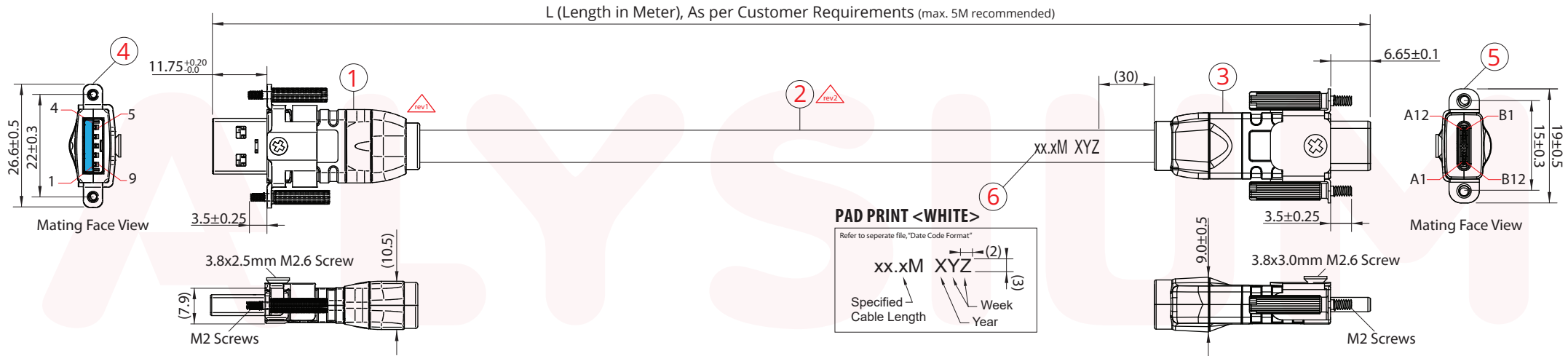




DRAWING REF: **A74-9857**  
 DRAWING REF: USB 3.0 to Type-C Industrial Assembly (A+ series)  
 REVISION: 00 (KH 161012) Initial release  
 01 (KH 161019) HST removed  
 02 (KH 161219) Cable PN updated  
 03 (KH 170110) Wiring & tolerance update



**UNLESS OTHERWISE SPECIFIED**  
**ASSY LENGTH TOLERANCE**  
 < 150mm = +50/-10  
 ≥ 150mm and < 250mm = +50/-15  
 ≥ 250mm and < 500mm = +50/-20  
 ≥ 500mm and < 1000mm = +50/-30  
 ≥ 1000mm and < 5000mm = ±50  
 5000mm and above = ±100

**RoHS COMPLIANT**

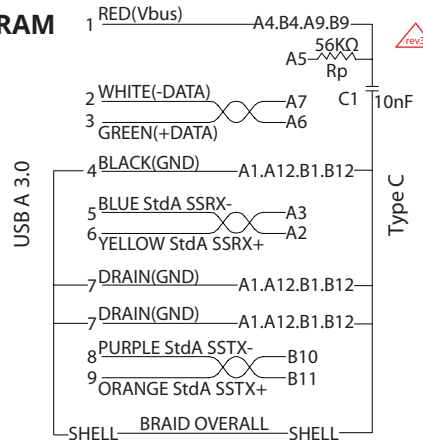
This document is the property of Alysium-Tech. It must not be copied or otherwise disclosed without prior written consent



**BILL OF MATERIALS**

Item	Description
1	A+ USB A 3.0 (OD5.8 DCT) Die Cast Shell incl. M2.6x2.5 screw (to be disposed, when bracket is applied)
2	A86-4730(T), [OD=6.2mm] <BLK> UL2725 2STP(26#2C)+STP28#+2C22#
3	A+ USB TypeC (OD6.2 DCT) Die Cast Shell incl. M2.6x2.5 screw (to be disposed, when bracket is applied)
4	USB A (DC) Bracket
5	USB C (DC) Bracket
6	Pad Print <WHT>
7	Heat Sealed PE Bag

**WIRING DIAGRAM**



**PACKAGING DETAIL**

