

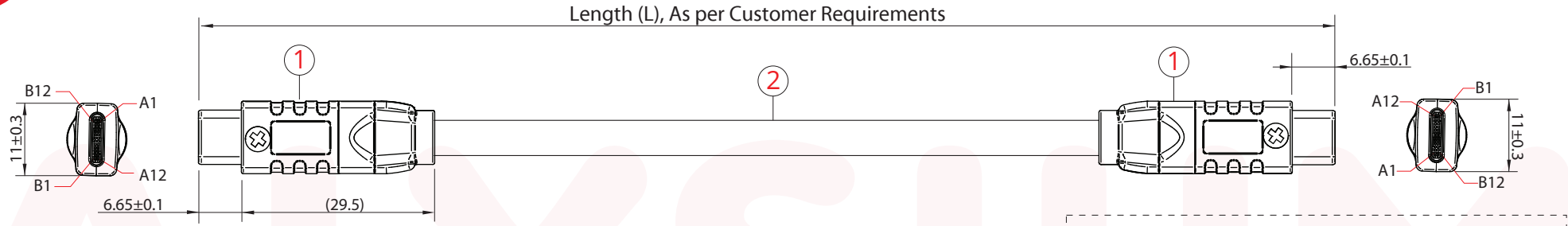
ALYSIUM PRODUCT DOCUMENT SPECIFICATION PACK

This Document Pack is for the Specification:

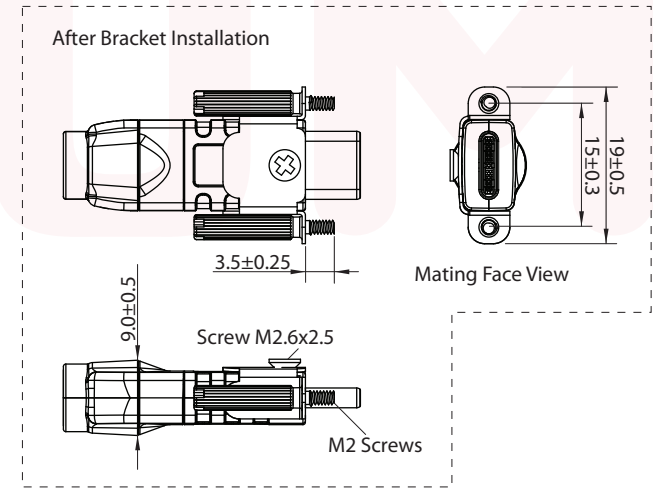
A74-3725 [0.5] .003 X -

Which comprises of the following SubComponents:

Electrical Testing					
ETR 1901.000	X	Validated	20/10/2016 02:03:00	ETR 0901.002.pdf	1
ETE 0900	00	Validated	26/04/2016 03:00:00		
Manufacturing Process					
LPR 0001(USB 3 CM-CM).001	X	-		LPR 0001(USB 3 CM-CM).001.pdf	1
Label on Bag (ALY CE)	00	-		Alysium CE.pdf	1
Label on Cable (Pad Print WHT)	00	-		Alysium CE.pdf	1
USB Assembly					
P74-3725[0.5].003	X	-		P74-3725.003.pdf	1
A86-4730(T)	01	Validated	05/03/2019 07:27:00	A86-4730(T)(01).pdf	1
USB C (DC) Bracket	03	Validated	15/03/2017 08:17:00	USB TypeC (DC) Bracket(03).pdf	1
A99-1432	00	-			
USB C (OD6.2 DCT)	00	-			
A46-1003	00	-			
A99-3372	00	-			



Note:
 (USB 3.0 / USB 3.1 Gen1 / USB 3.2 Gen1x1) Type C to Type C 5G
 - Without e-marking
 - USB-PD not supported
 Suitable for Type C Current @ 3A (= 15W) - expected max. assembly length is 5M at full load
 - No SBU1/SBU2 (sideband pins) = no alternative modes, eg DisplayPort supported



UNIT : mm
 UNLESS OTHERWISE SPECIFIED
 ASSY LENGTH TOLERANCE
 < 150mm = ±10
 ≥ 150mm and < 250mm = ±15
 ≥ 250mm and < 500mm = ±20
 ≥ 500mm and < 1000mm = ±30
 ≥ 1000mm and < 5000mm = ±50
 5000mm and above = ±100

RoHS COMPLIANT

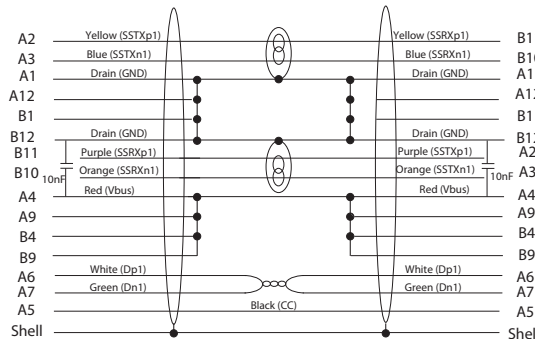
This document is the property of Alysium-Tech. It must not be copied or otherwise disclosed without prior written consent



BILL OF MATERIALS

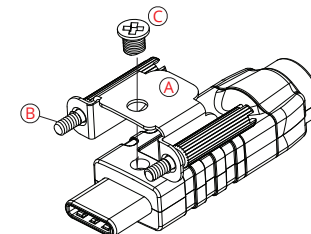
Item	Description
1	A+ USB TypeC (OD6.2 DCT) Die Cast Shell
2	A86-4730(T), [OD=6.2mm] <BLK> UL2725 2STP(26#2C)+STP28#+2C22#

WIRING DIAGRAM



ACCESSORIES DETAILS

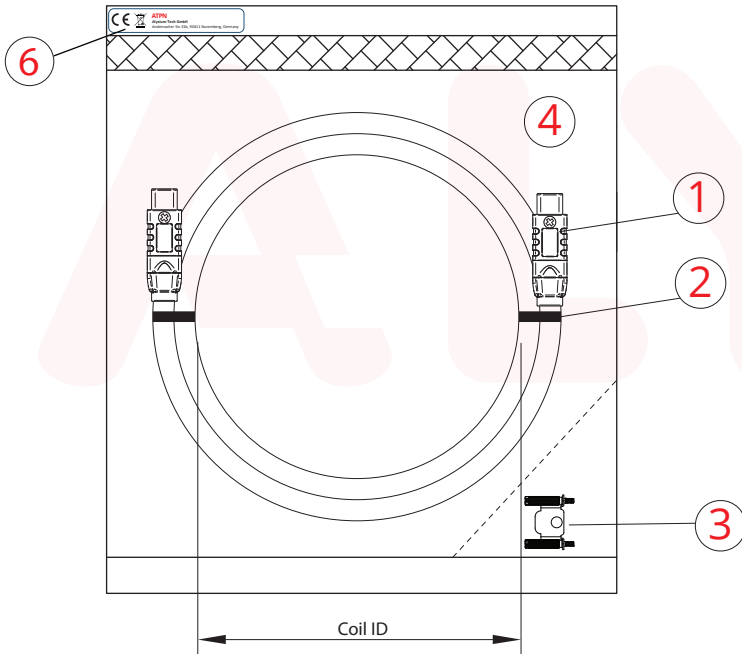
This assembly consists of below accessories:
 A) Metal sheet bracket for USB TypeC (1pc).
 B) M2 thumb screws (pre-installed in both brackets) (2pcs).
 C) M2.6x2.5 flat head screw (pre-installed in TypeC termination) (1pc).



Type C Bracket Installation



Cable Assembly Example:



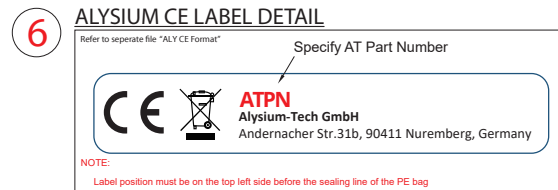
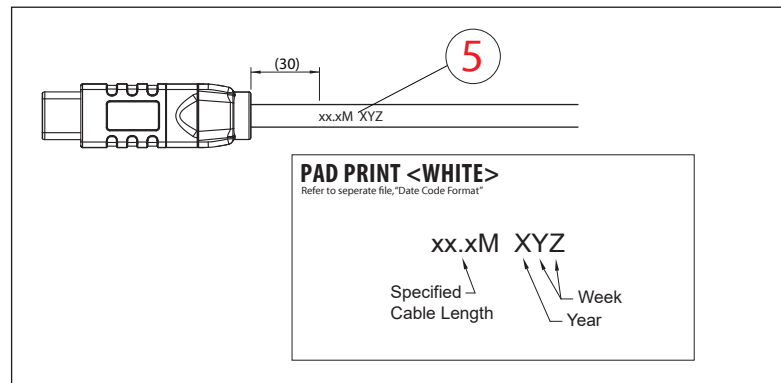
Packaging Content:

- 1) Basic Assembly
 - 2) Magic Tie/ Cable Tie
 - 3) Accessories
 - 4) PE Bag
 - 5) White Pad Print on Cable
 - 6) Label On Bag (ALY CE)
- 1pc
2pcs
1pcs (A+ USB Type C Screw Lock Bracket)
1pc

Table 1: Assembly Coiling Inner Diameter
(Unless Otherwise Specified)

Type of Cable [Jacket OD(mm)]	Coil ID (mm)
A87-3502[9.45]	250
A86-1684(T)[5.8]	150
MCD-USB-211[7.3]	250
MCD-USB-213(T)[8.0]	250
A86-4730(T)[6.2]	150
A86-8365 [7.5]	150

Cable Label Guideline



Electrical Test Criteria

- 1) Open/Short circuit
- 2) Intermittent
- 3) Insulation Resistance

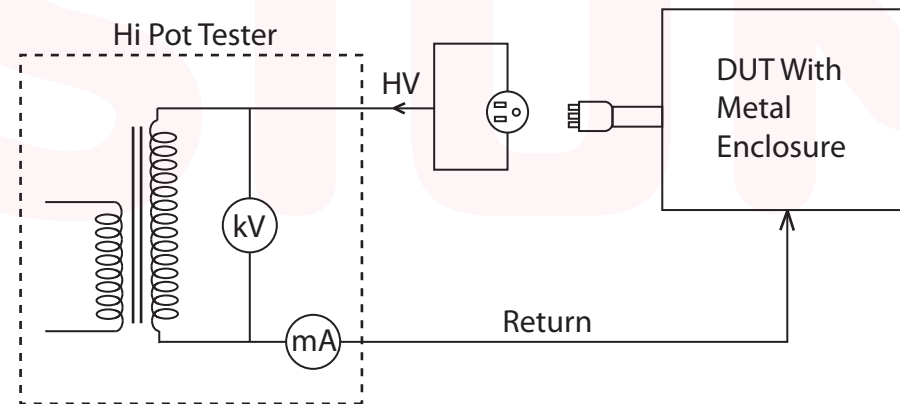
Hi Pot Tester Model
HB-550 (ATPN : ETE 1901)

Measurement Parameters

Voltage = 300VDC,
Insulation Resistance > 20M Ohm,
Time = 0.1s

Sampling size

100% Check



Simulated Line Leakage Diagram